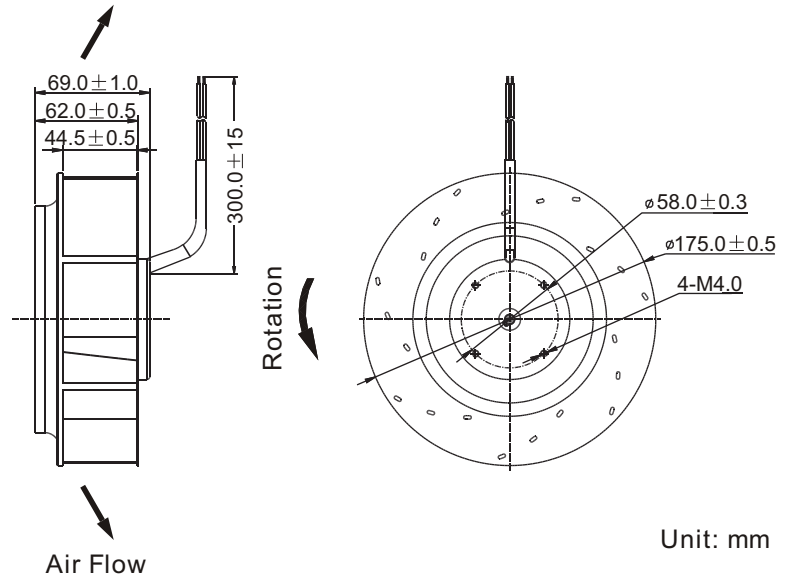
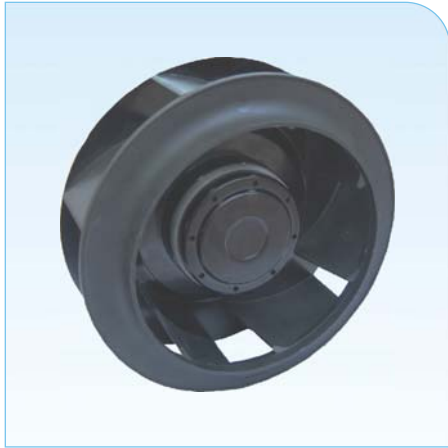


■ Dimensions Drawing

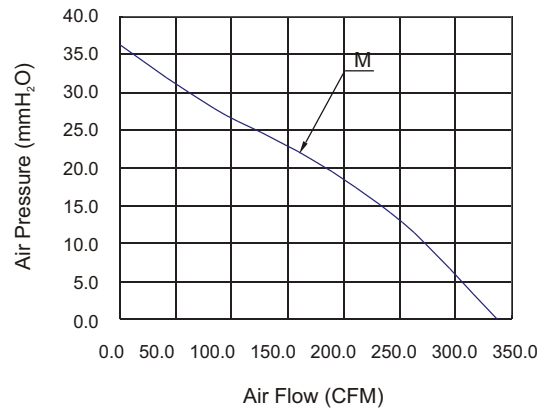


Unit: mm

General Specification:

- Frame : Aluminum Alloy
- Impeller : PA6 UL 94V-0 Reinforced Plastic
- Lead Wires : UL Type
(+) : Red (-) : Black
- Operation Temperature : -10°C~70°C、
35%~85%RH
- Storage Temperature : -40°C~80°C、
35%~85%RH

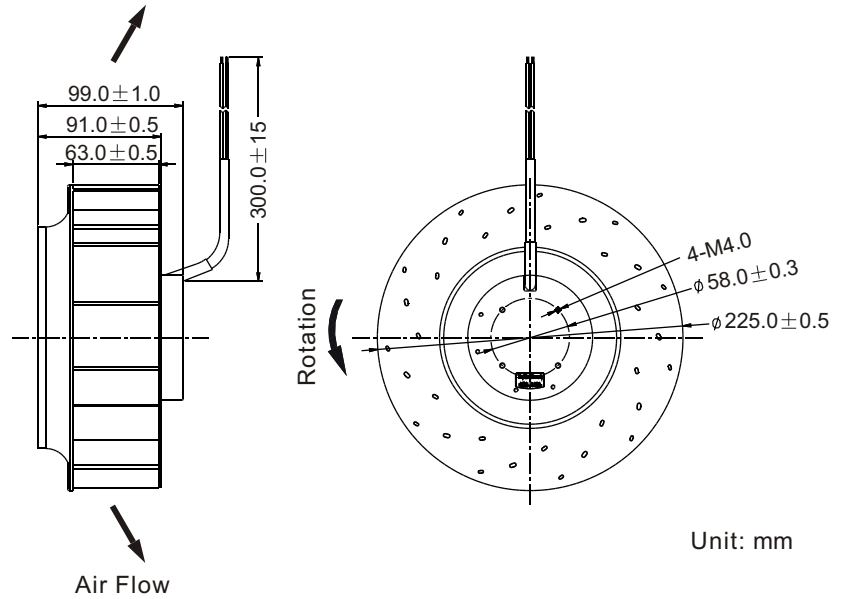
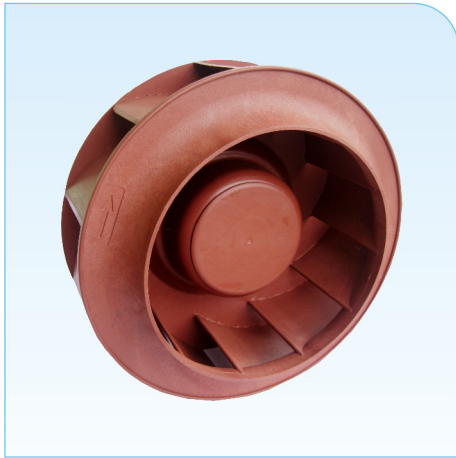
■ Performance Curves



Listed Model	Bearing System	Rated Voltage	Operation Voltage	Rated Current	Rated Speed	Air Flow	Air Pressure	Noise Level	Available Features (Optional)				Weight
		VDC	VDC	A	RPM	CFM	mmH ₂ O	dBA	Tachometer Output	Rotation Detector	Thermal Control	Pulse Width Modulation	g
RFM17569B4	Ball	48	24.0~55.2	1.00	3,100	337.3	36.3	66	•	•	•	•	770

∅ 225x99mm

■ Dimensions Drawing

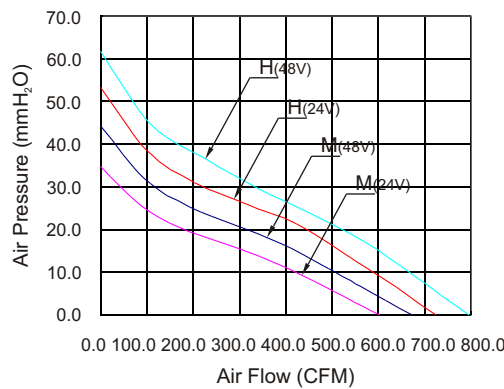


Unit: mm

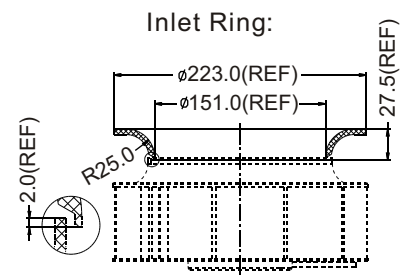
General Specification:

- Impeller : PA6 UL 94V-0 Reinforced Plastic
- Lead Wires : UL Type
(+) : Red (-) : Black
- Operation Temperature : -10°C~70°C、
35%~85%RH
- Storage Temperature : -40°C~80°C、
35%~85%RH

■ Performance Curves



Mounting Panel Cutout



Listed Model	Bearing System	Rated Voltage	Operation Voltage	Rated Current	Rated Speed	Air Flow	Air Pressure	Noise Level	Available Features (Optional)				Weight
		VDC	VDC	A	RPM	CFM	mmH ₂ O	dBA	Tachometer Output	Rotation Detector	Thermal Control	Pulse Width Modulation	g
RFH22599B2	Ball	24	15.0~27.6	4.00	2,500	724.2	53.4	70	•	•	•	•	1400
RFM22599B2			15.0~27.6	2.50	2,100	601.6	34.7	66	•	•	•	•	
RFH22599B4	Ball	48	28.0~58.0	2.50	2,700	795.5	62.0	72	•	•	•	•	
RFM22599B4			28.0~58.0	1.60	2,300	672.9	44.3	68	•	•	•	•	