

- Wide range of frame sizes from 60 - 230mm
- High rated torque range from 0.6 - 95Nm
- Very high peak torque from 2 - 300Nm
- Power range from 0.1 - 30kw



Brushless AC Servo Motors

3X MOTION ac servo motors are widely used in such diverse market areas as textiles machines and automation/robotic applications.

Breakdown of Part Number:

130	TX	A	040	20	E	J	Z
frame size	range code	i/p voltage A-220Vac/B-380Vac	rated torque x0.1	rated torque x100	f/b element Enc/Res/HS	key on shaft	brake

Customisation Options:

Shaft Extensions

TX Series motors can be supplied with custom shaft where dimensions can be modified to customer demand. A keyway may be specified within the part number if needed.

Connections

TX Series motors are supplied with MS connector.

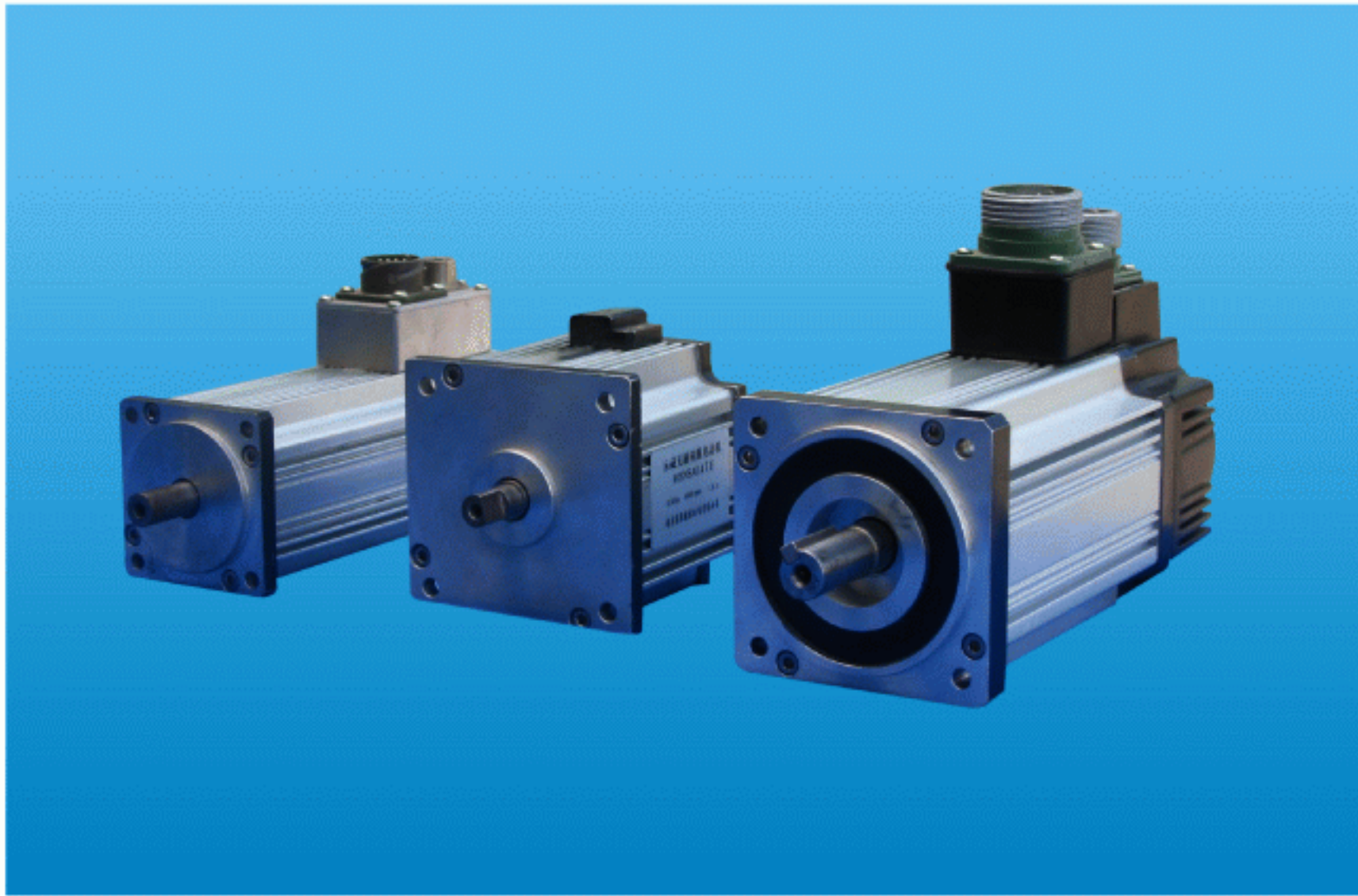
Feedback Devices

All TX Series motors can be supplied with 2500cpr incremental encoder or resolver for tight speed or accurate position control respectively. However, internal Hall Sensors also provide a more economic alternative in in meeting less demanding speed control needs.

Brake

Each motor in the TX range is available with electromagnetic parking brake.

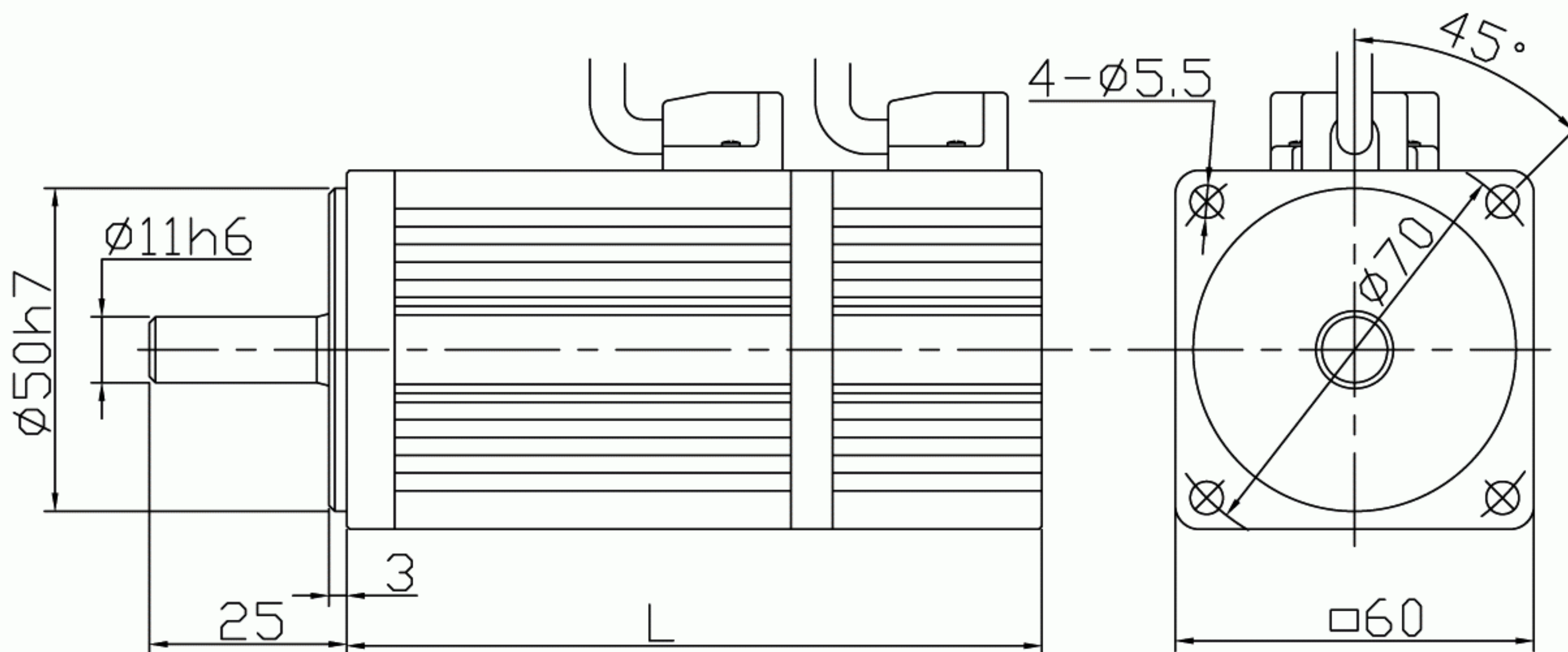


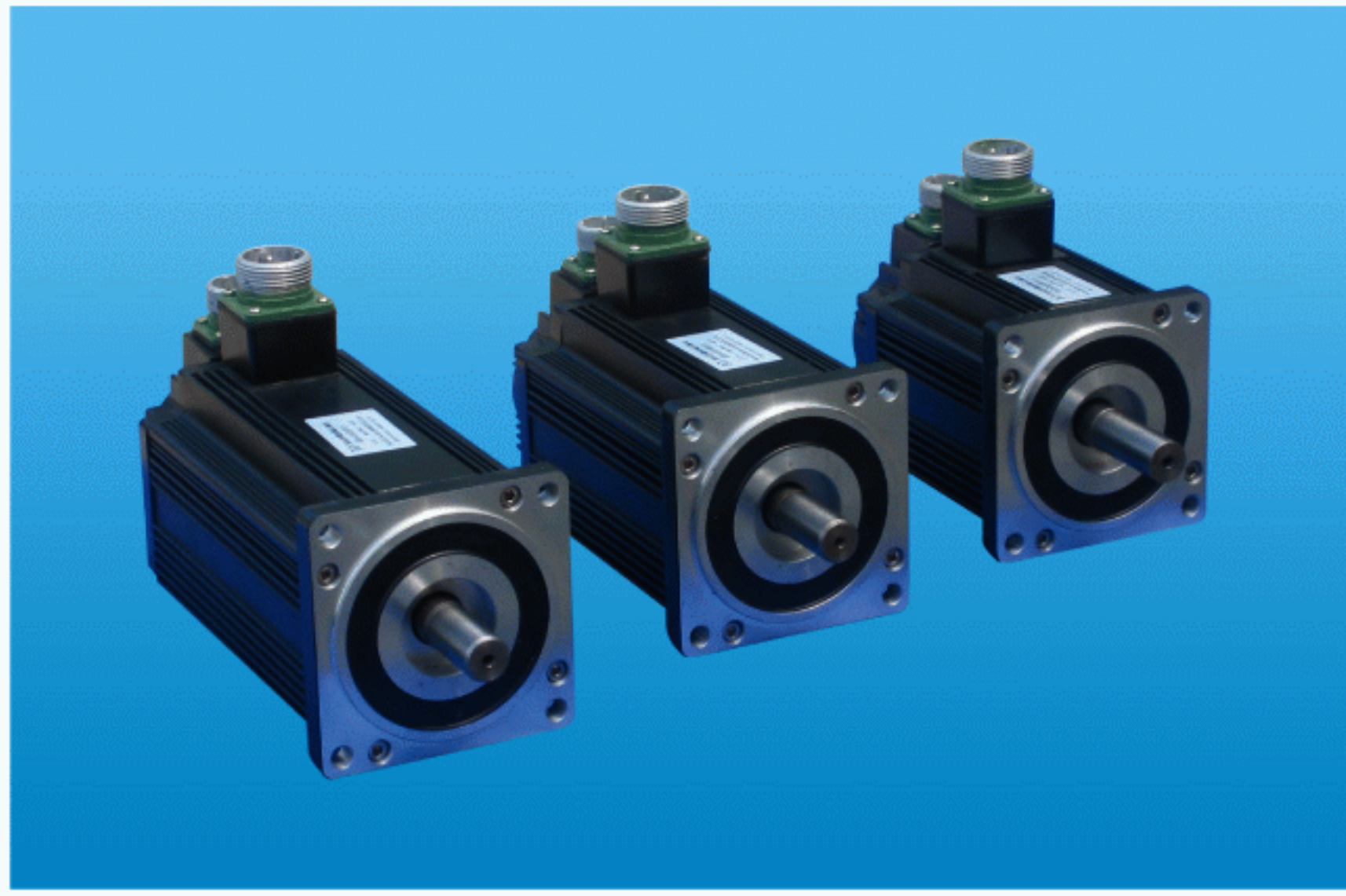


Performance Data

Item	Type		60TXA	60TXA	80TXA	80TXA	80TXA	80TXA	80TXA
		Unit	00630E	01330E	01330E	01630E	02020E	02030E	02430E
Rated Power	P	kw	0.2	0.4	0.4	0.5	0.42	0.63	0.75
Rated Torque	T	Nm	0.64	1.27	1.3	1.6	2	2	2.4
Rated Current	I	A	1.4	2.8	2.3	2.8	2	4	3.8
Rated Speed	n	rpm	3000	3000	3000	3000	2000	3000	3000
Peak Torque	T _{pk}	Nm	1.98	4.8	3.8	4.8	6	6	7
Peak Current	I _{pk}	A	4.2	8.4	6.5	8.5	5.8	11.5	11
Rotor Inertia	J	Kgcm ²	0.18	0.37	0.83	1.52	1.65	1.93	2
Driver Voltage	U	V	220	230	220	220	220	220	220
Length	L	mm	140	185	172	193	213	213	149
Length (inc. brake)	L	mm	190	235	232	253	273	273	209

Dimensions in mm

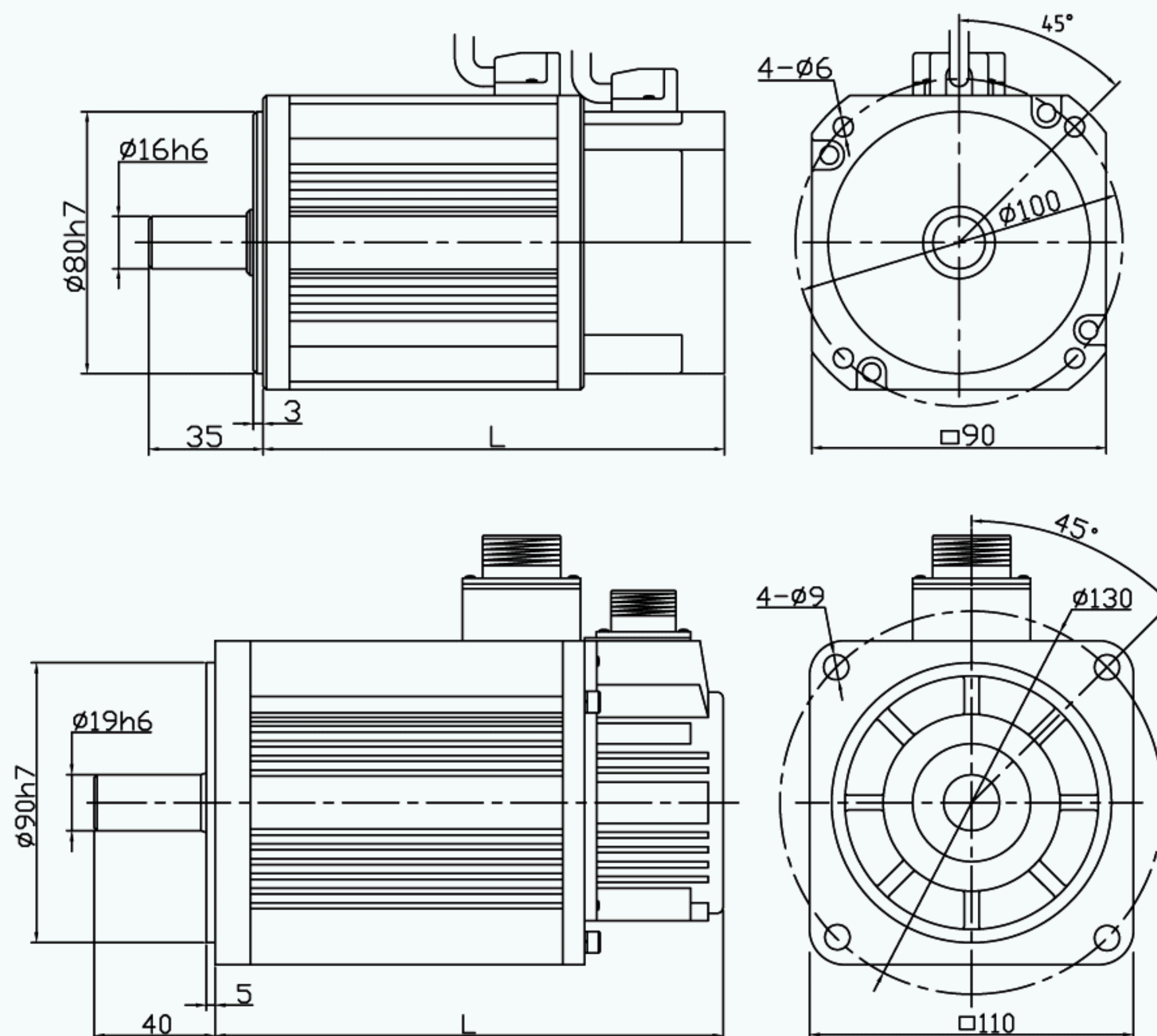


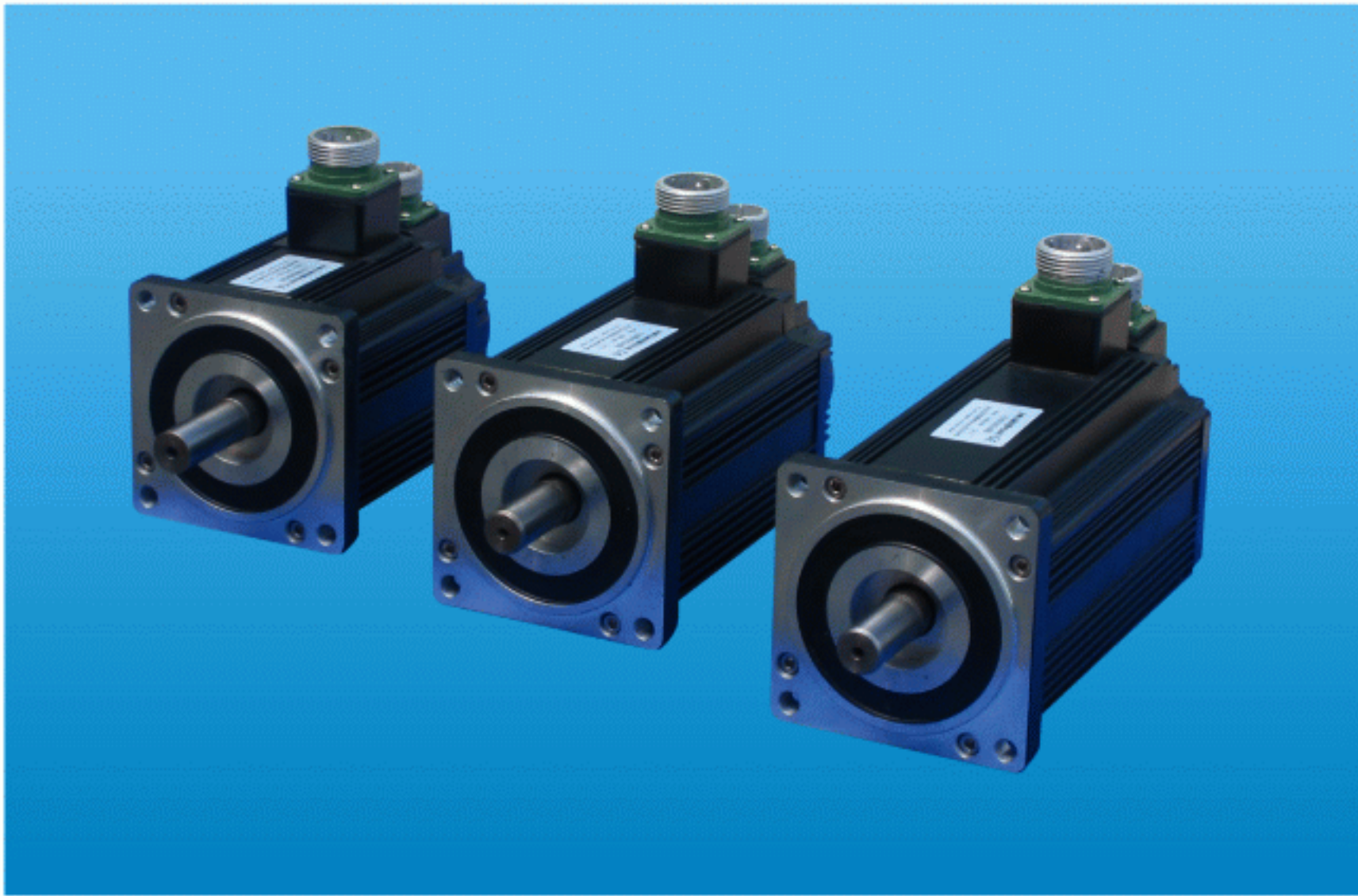


Performance Data

		Type	90TXA 02430E	110TXA 02020E	110TXA 04020E	110TXA 04030E	110TXA 06020E	110TXA 06030E
Item	Unit							
Power	P	kw	0.75	0.42	0.84	1.26	1.26	1.88
Rated Torque	T	Nm	2.4	2	4	4	6	6
Rated Current	I	A	4	2.2	3.3	5	5	8.5
Rated Speed	n	rpm	3000	2000	2000	3000	2000	3000
Peak Torque	T _{pk}	Nm	7	6.2	12.8	13.8	18.8	20.2
Peak Current	I _{pk}	A	11.6	6.6	10	16.2	15	25
Rotor Inertia	J _m	kgcm ²	2.6	2.46	3.3	3.5	4.6	4
Driver Voltage	U	V	220	220	220	220	220	220
Length	L	mm	139	156	182	182	212	212
Length (brake)	L	mm	199	216	242	242	272	272

Dimensions in mm



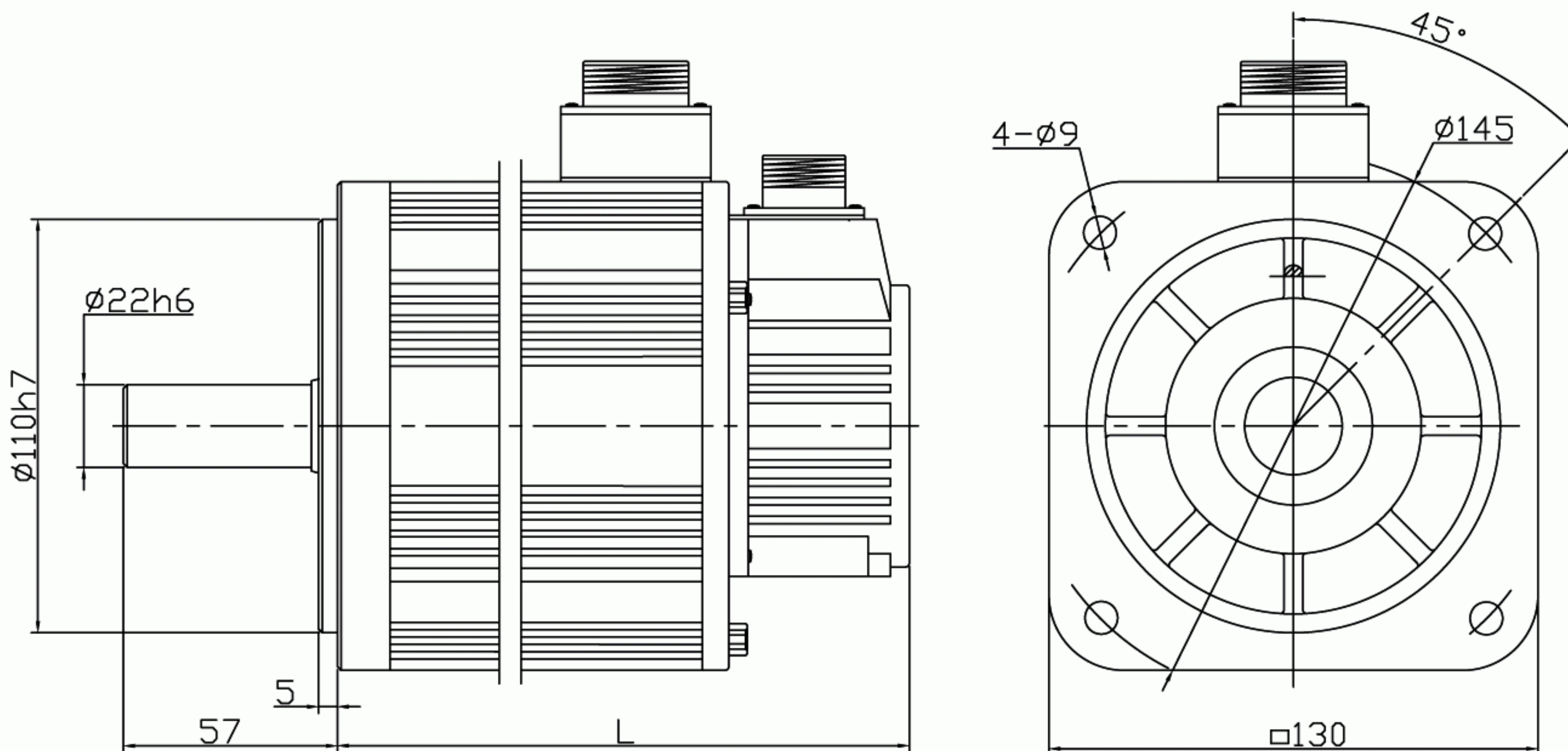


Performance Data

Item	Type		130TXA 04020E	130TXA 05020E	130TXA 06020E	130TXA 07520E
		Unit				
Power	P	kw	0.84	1.05	1.26	1.57
Rated Torque	T	Nm	4	5	6	7.5
Rated Current	I	A	3.5	4.2	5.8	6
Rated Speed	n	rpm	2000	2000	2000	2000
Peak Torque	Tpk	Nm	13.2	16.6	19.2	24.8
Peak Current	Ipk	A	11.6	13.9	18.7	22.6
Rotor Inertia	Jm	Kgcm ²	6.2	7.4	8.5	9.6
Driver Voltage	U	V	220	220	220	220
Length	L	mm	159	169	180	189
Length (brake)	L	mm	219	229	240	249

Item	Type		130TXA 10015E	130TXA 10020E	130TXA 15015E	130TXA 15020E
		Unit				
Power	P	kw	1.57	2.1	2.4	3.1
Rated Torque	T	Nm	10	10	15	15
Rated Current	I	A	7.8	8.6	8.6	9.2
Rated Speed	n	rpm	1500	2000	1500	2000
Peak Torque	Tpk	Nm	31.8	31.8	45	45
Peak Current	Ipk	A	24.5	27	27.2	28.5
Rotor Inertia	Jm	Kgcm ²	12.45	13.58	19.2	20.37
Driver Voltage	U	V	220	220	220	220
Length	L	mm	218	218	276	276
Length (brake)	L	mm	278	278	336	336

Dimensions in mm



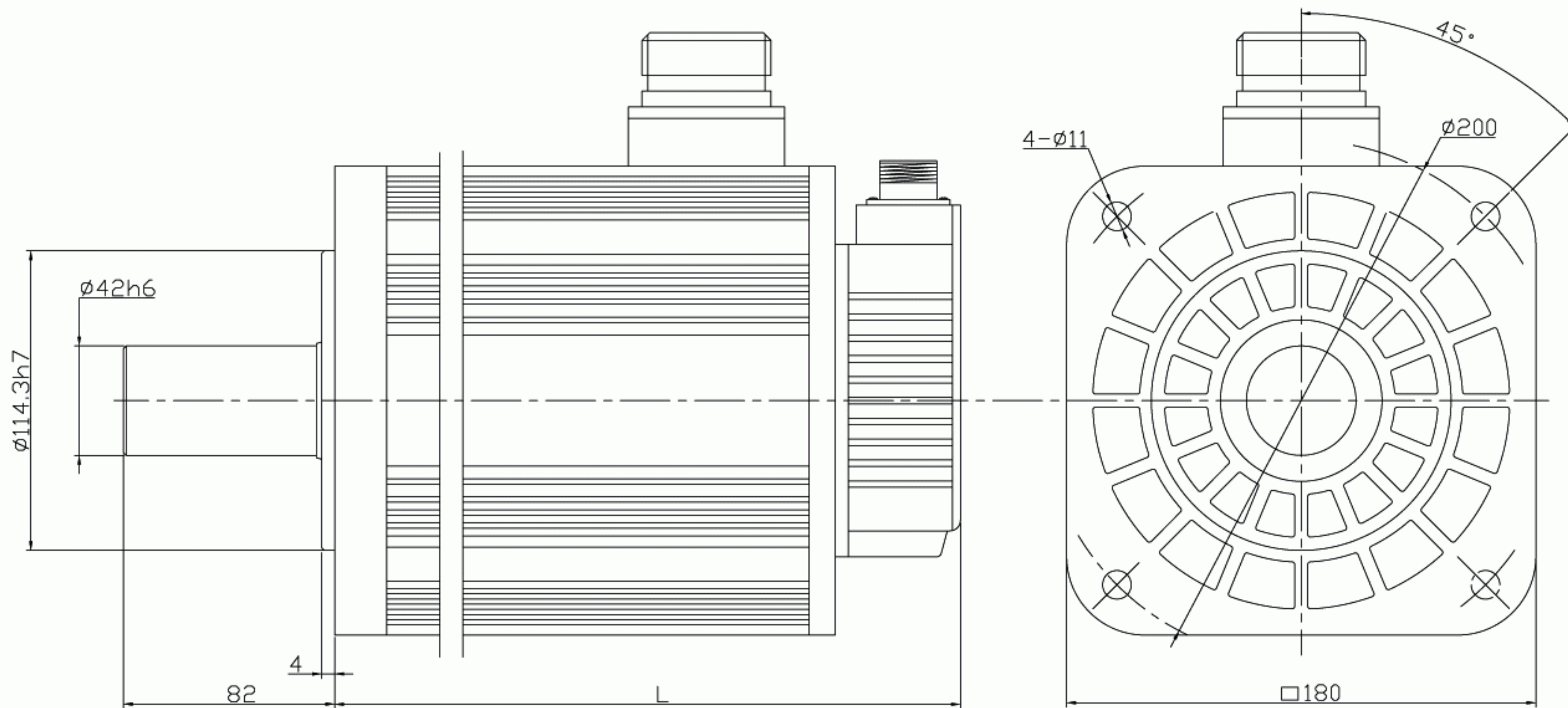


Performance Data

Item	Type		180TXA	180TXA	180TXA	180TXA	180TXA
	Unit	Unit	15020E	15030E	19110E	19115E	19120E
Power	P	kw	3.1	4.7	2.0	3.0	4.0
Rated Torque	T	Nm	15	15	19.1	19.1	19.1
Rated Current	I	A	14.3	20	7.8	20	16
Rated Speed	n	rpm	2000	3000	1000	1500	2000
Peak Torque	Tpk	Nm	53.4	46	57	57	57
Peak Current	Ipk	A	37.2	60	23	60	48
Rotor Inertia	Jm	Kgcm ²	47.45	47.45	77.5	69	72.2
Driver Voltage	U	V	220	220	220	220	220
Length	L	mm	224	224	258	258	226
Length (brake)	L	mm	304	304	338	338	306

Item	Type		180TXA	180TXA	180TXA	180TXA	180TXA
	Unit	Unit	19130E	23820E	28610E	36015E	40015E
Power	P	kw	6.0	5.0	3.0	5.7	6.3
Rated Torque	T	Nm	19.1	23.8	28.6	36	40
Rated Current	I	A	24.3	19.7	12	29	25
Rated Speed	n	rpm	3000	2000	1000	1500	1500
Peak Torque	Tpk	Nm	57	71	86	108	120
Peak Current	Ipk	A	73	59	36	87	75
Rotor Inertia	Jm	Kgcm ²	76.6	80.9	95.6	90	125
Driver Voltage	U	V	220	220	220	220	220
Length	L	mm	254	276	314	349	329
Length (brake)	L	mm	334	356	394	429	409

Dimensions in mm



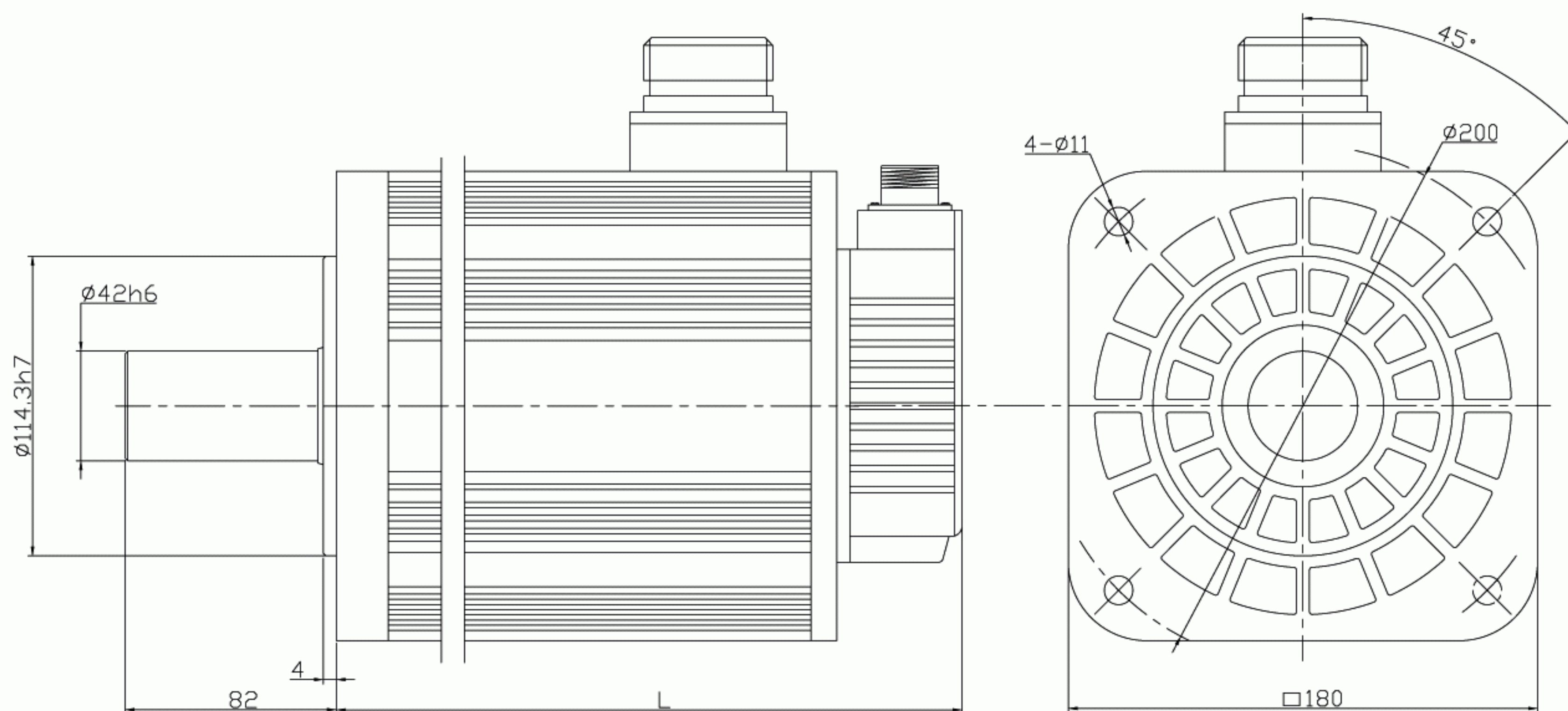


Performance Data

Item	Type		180TXB 15020E	180TXB 15030E	180TXB 20020E	180TXB 20030E	180TXB 23830E
	Unit						
Power	P	kw	3.1	4.7	4.2	6.3	7.5
Rated Torque	T	Nm	15	15	20	20	23.8
Rated Current	I	A	7.6	12	10.7	15.2	17.5
Rated Speed	n	rpm	2000	3000	2000	3000	3000
Peak Torque	Tpk	Nm	49.8	54	62	72	73
Peak Current	Ipk	A	24.9	41.5	33	52.7	57
Rotor Inertia	Jm	kgcm ²	47.45	61	61	77.9	85.8
Driver Voltage	U	V	380	380	380	380	380
Length	L	mm	224	224	244	244	274
Length (brake)	L	mm	304	304	324	324	354

Item	Type		180TXB 25030E	180TXB 30030E	180TXB 35030E	180TXB 40030E	180TXB 50030E
	Unit						
Power	P	kw	7.8	9.4	11.0	12.5	15.7
Rated Torque	T	Nm	25	30	35	40	50
Rated Current	I	A	19.7	23	27	31	38
Rated Speed	n	rpm	3000	3000	3000	3000	3000
Peak Torque	Tpk	Nm	85.5	108	123	141	165
Peak Current	Ipk	A	65.5	78	93	103.7	124.5
Rotor Inertia	Jm	kgcm ²	88.2	95	115.2	132	166
Driver Voltage	U	V	380	380	380	380	380
Length	L	mm	269	294	319	349	414
Length (brake)	L	mm	349	374	399	429	494

Dimensions in mm





Performance Data

Item	Type		230TXB 38020E	230TXB 38030E	230TXB 58020E	230TXB 58030E
	P	Unit				
Power	P	kw	8.0	12.0	12.0	18.2
Rated Torque	T	Nm	38	38	58	58
Rated Current	I	A	18	28	28	39
Rated Speed	n	rpm	2000	3000	2000	3000
Peak Torque	Tpk	Nm	114	114	180	176.4
Peak Current	Ipk	A	54	84	84	120
Rotor Inertia	Jm	kgcm ²	300	221	340	279
Driver Voltage	U	V	380	380	380	380
Length	L	mm	248	248	273	273
Length (brake)	L	mm	338	338	363	363

Item	Type		230TXB 70020E	230TXB 70030E	230TXB 95020E	230TXB 95030E
	P	Unit				
Power	P	kw	14.7	22.0	20.0	30.0
Rated Torque	T	Nm	70	70	95	95
Rated Current	I	A	35	47	42	63
Rated Speed	n	rpm	2000	3000	2000	3000
Peak Torque	Tpk	Nm	210	210	280	300
Peak Current	Ipk	A	105	130	126	189
Rotor Inertia	Jm	kgcm ²	500	350	650	420
Driver Voltage	U	V	380	380	380	380
Length	L	mm	313	313	378	378
Length (brake)	L	mm	403	403	468	468

Dimensions in mm

