

SD Series



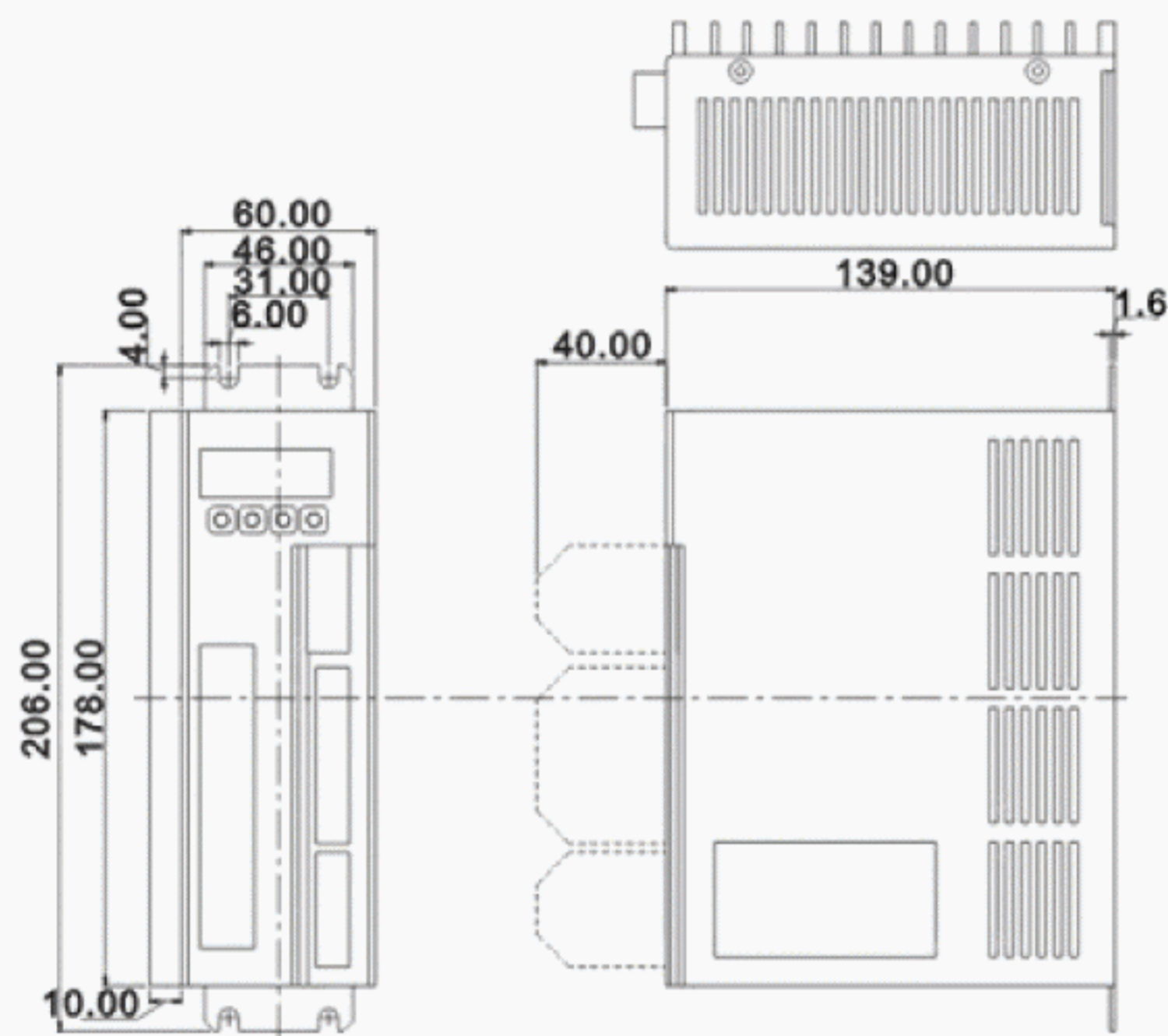
Product Selection:

Products in the SD Series include:

SD12/15

Features

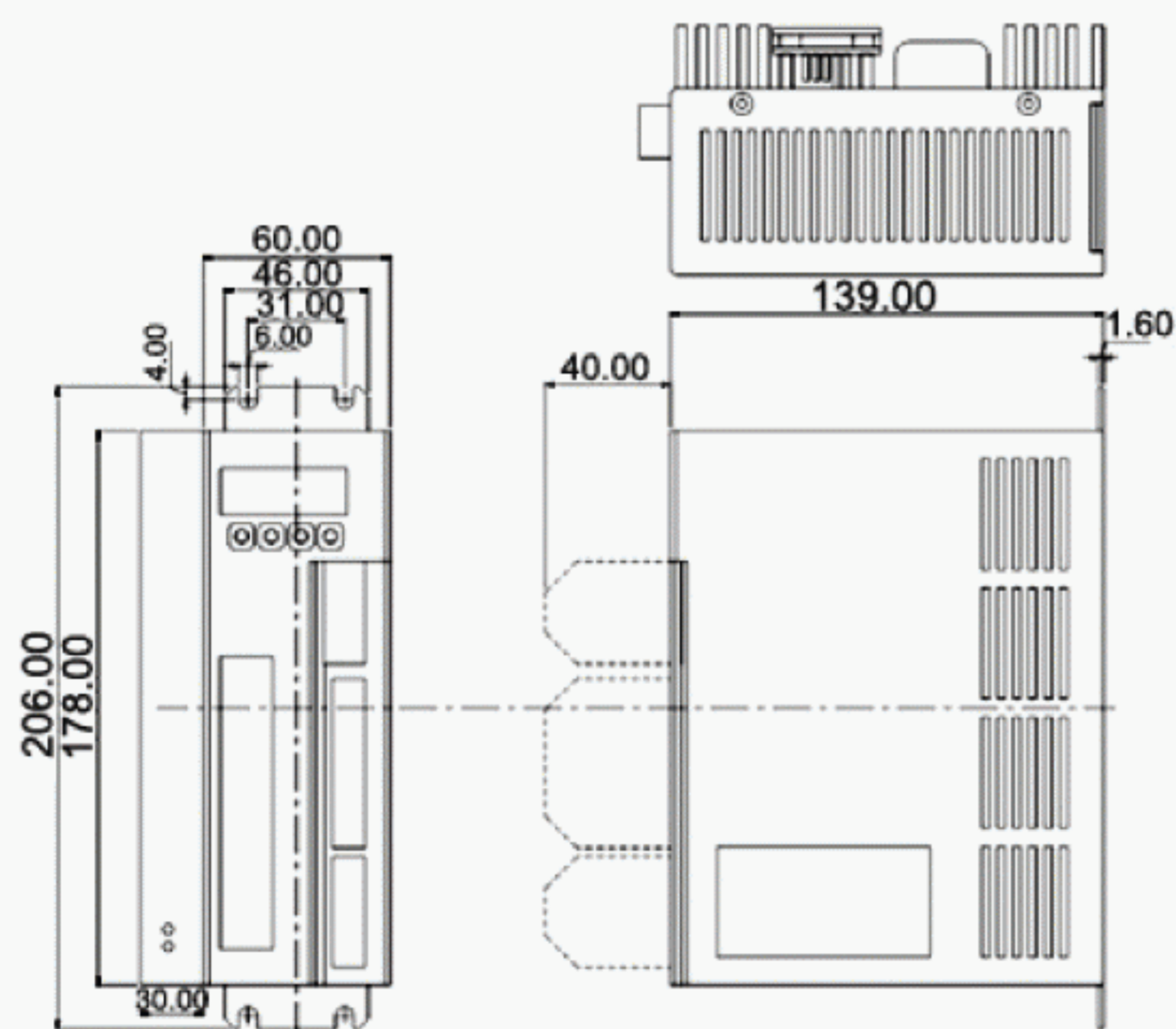
- Supply voltage 180-240V ac, single-phase, 50/60 Hz
- Rated Current up to 2.8A



SD30

Features

- Supply voltage 180-240V ac, three-phase, 50/60 Hz
- Rated Current up to 5.7A



Digital AC Servo Drives

General Description

The SD Series presents a range of high performance brushless ac servo drives which combine excellent dynamic performance with economic manufacturing methods.

SD Series products are especially designed for use with the full range of 3X MOTION Brushless AC Servo Motors.

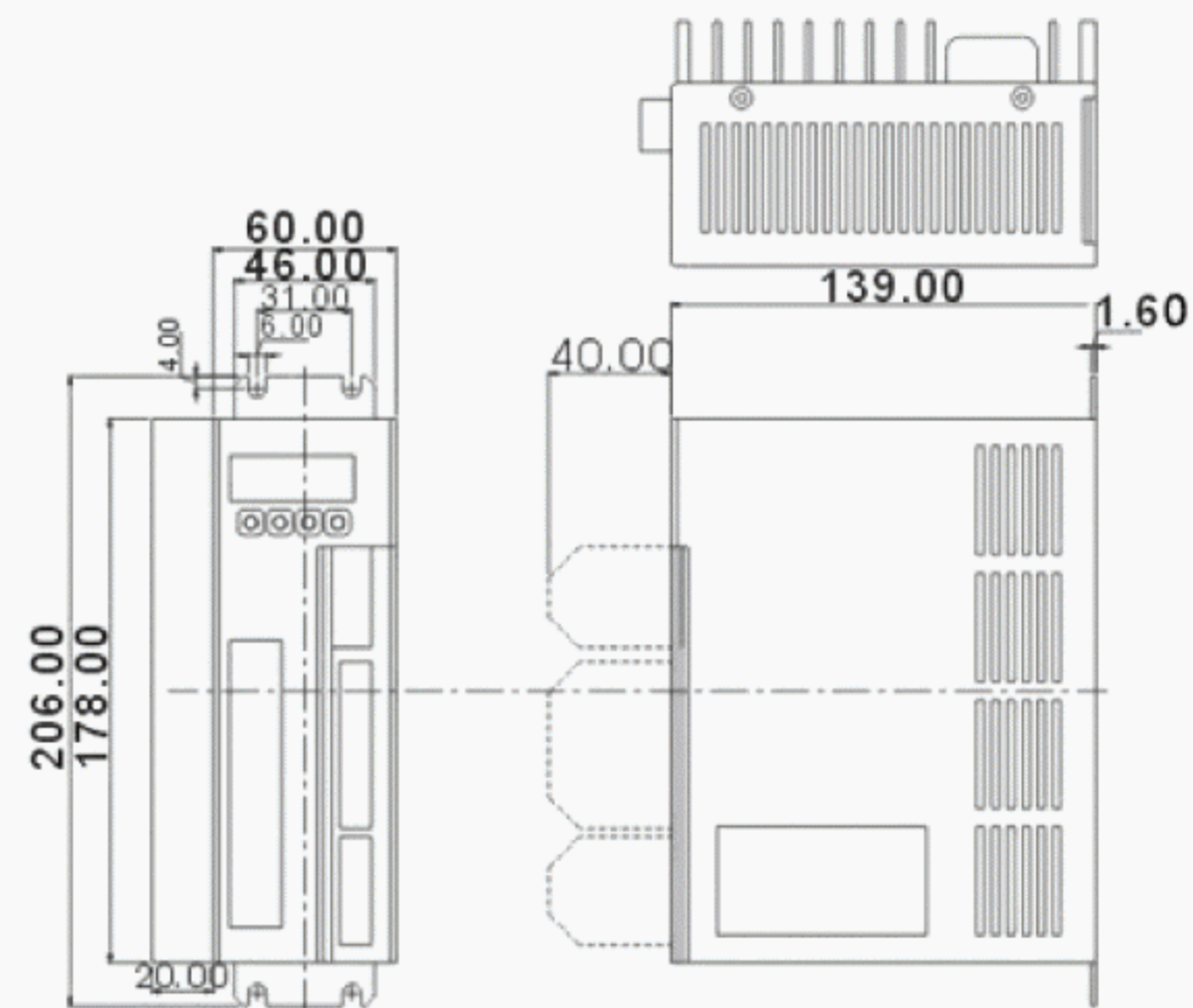
Each SD Series drive allows provision of speed, position and torque control through the use of Hall Sensor, encoder and resolver feedback. A dynamic braking facility is also included.

Each drive is programmable via a simple, user interface panel.

SD20

Features

- Supply voltage 180-240V ac, single-phase, 50/60 Hz
- Rated Current up to 3.8A



SD50/75

Features

- Supply voltage 180-240V ac, three-phase, 50/60 Hz
- Rated Current up to 9.4A (SD50)/ 14.1A (SD75)

