



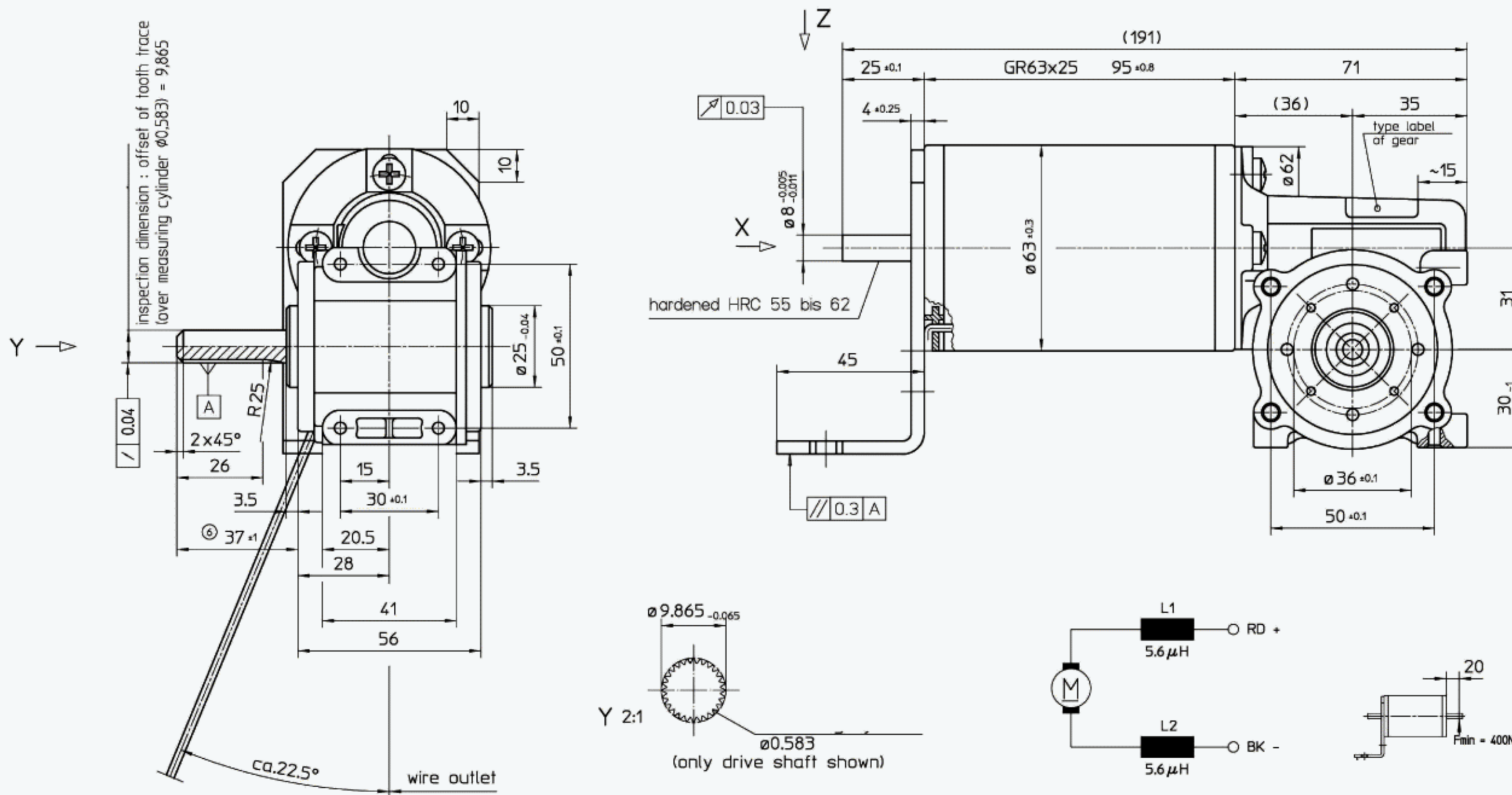
General Specification

Gearbox Housing	Die-cast Aluminium
Worm Gear Material	Bronze, steel or plastic
Lubrication	Grease lubricated for life
Gearbox Output Bearing Type	High quality ball bearing
Insulation Class	F
Brush Type	Integral
Ambient Operating Temperature	-20°C to +40°C

Performance Data

Type	Motor						Gearbox	
	Voltage (V)	Rated Torque (Nm)	Rated Speed (rpm)	Rated Current (A)	Input Power (W)	Output Power (W)	Type	Ratio
48ZYT - 118 - 24	24	0.10	3400	2.00	49	34	GB8	10:1, 15:1
48ZYT - 118 - 40	40	0.10	3400	1.00	41	34	GB8	10:1, 15:1
63ZYT - 125 - 24	24	0.27	3450	4.92	118	97.5	GB8	10:1, 15:1
63ZYT - 125 - 40	40	0.27	3450	2.95	118	97.5	GB8	10:1, 15:1

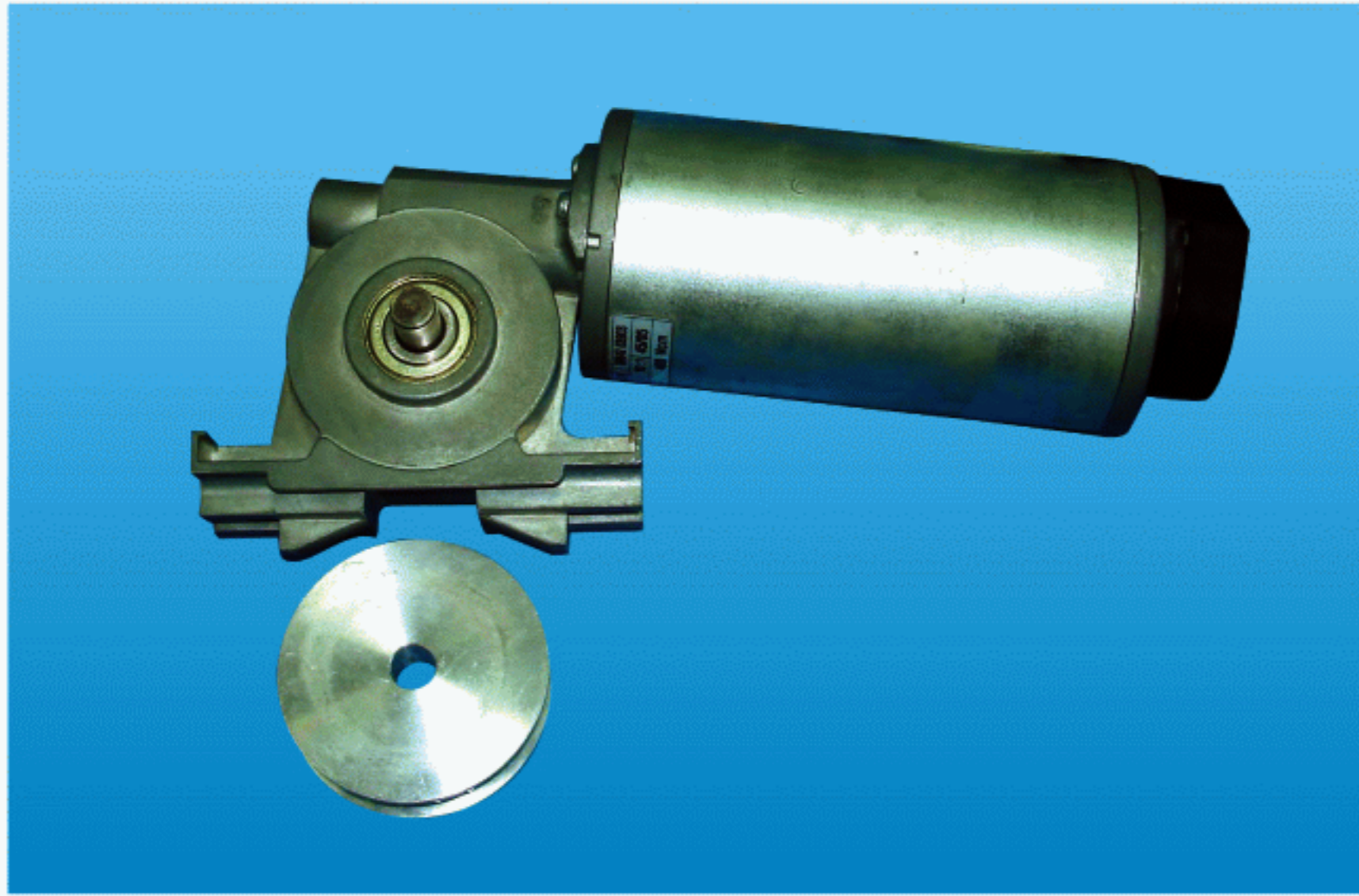
Dimensions in mm



01 Brushed DC Motors  
 02 Brushless AC Servo Motors  
 03 Brushless DC Motors  
 04 Electronic Drive / Controllers  
 05 Geared DC Motors  
 06 Stepper Motors

# GB9 Series

# Worm Wheel Gearboxes with 48 & 63ZYT Motor



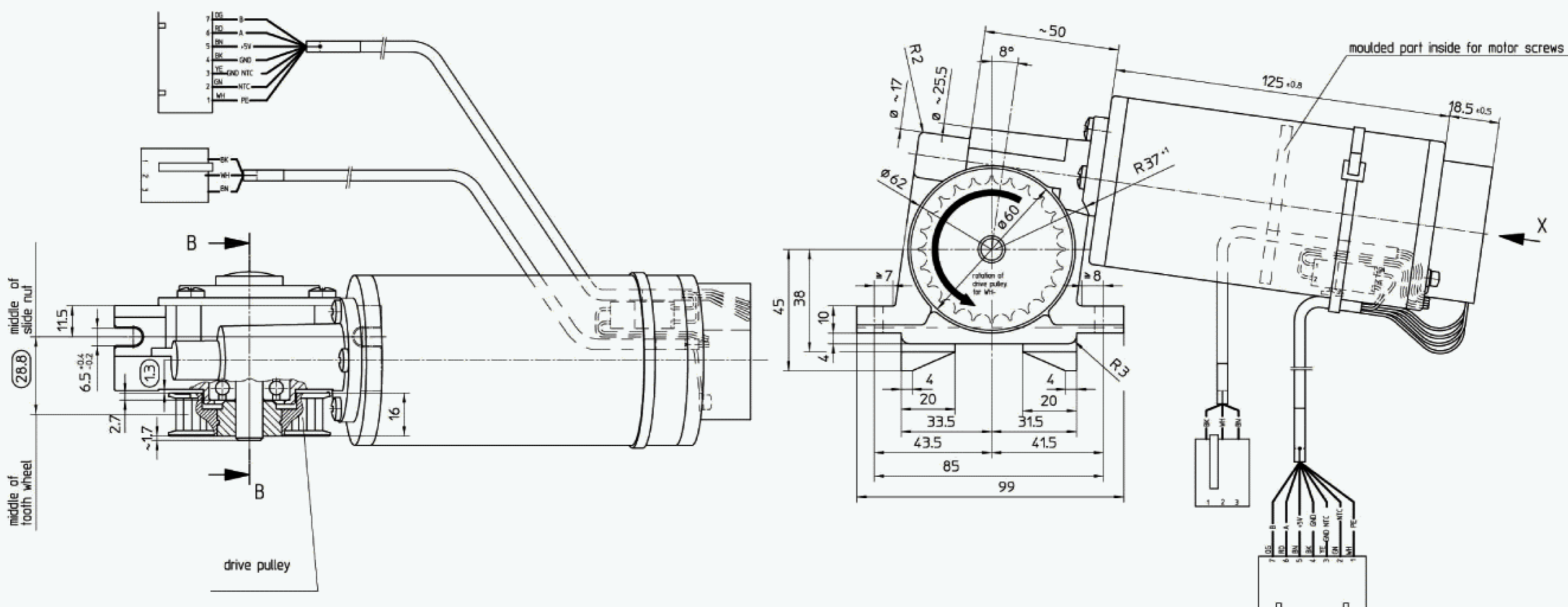
## General Specification

Gearbox Housing	Die-cast Aluminium
Worm Gear Material	Bronze, steel or plastic
Lubrication	Grease lubricated for life
Gearbox Output Bearing Type	High quality ball bearing
Insulation Class	F
Brush Type	Integral
Ambient Operating Temperature	-20° C to +40° C

## Performance Data

Type	Motor						Gearbox	
	Voltage (V)	Rated Torque (Nm)	Rated Speed (rpm)	Rated Current (A)	Input Power (W)	Output Power (W)	Type	Ratio
48ZYT - 118 - 24	24	0.10	3400	2.00	49	34	GB9	10:1, 15:1
48ZYT - 118 - 40	40	0.10	3400	1.00	41	34	GB9	10:1, 15:1
63ZYT - 125 - 24	24	0.27	3450	4.92	118	97.5	GB9	10:1, 15:1
63ZYT - 125 - 40	40	0.27	3450	2.95	118	97.5	GB9	10:1, 15:1

## Dimensions in mm





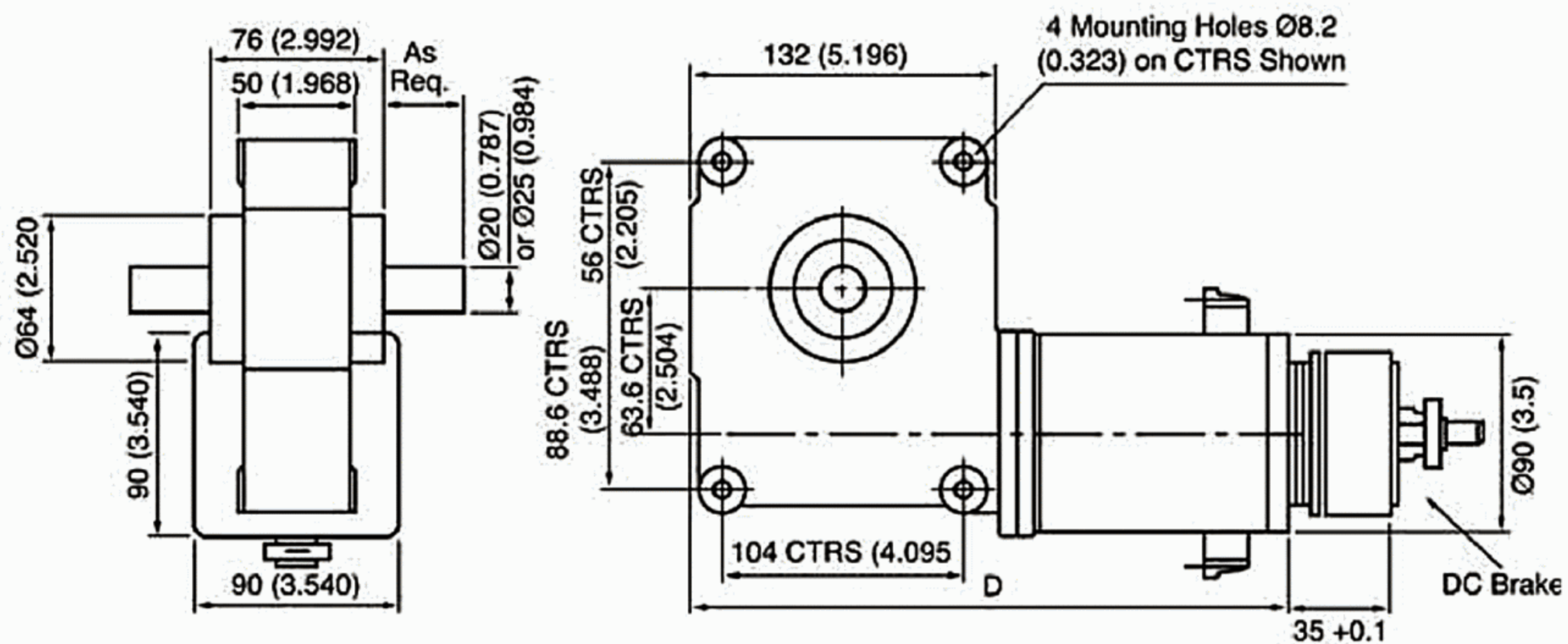
General Specification

Gearbox Housing	Ruggedised die-cast Aluminium
Worm Gear Material	Bronze, steel or glass-filled plastic
Lubrication	Grease lubricated & sealed for life
Gearbox Output Bearing Type	High quality ball bearing
Insulation Class	F (contact us for class B)
Brush Type	Integral or removable
Ambient Operating Temperature	-20° C to +40° C

Performance Data

Motor Sizes	Worm Wheel Material	Gear Ratio	Warner Brake Type	Output Shaft Type
90ZYT, 100ZYT, 110ZYT, 120ZYT	Delrin, Bronze	25:1	ERB, MRB	Customised
90ZYT, 100ZYT, 110ZYT, 120ZYT	Delrin, Bronze	30:1	ERB, MRB	Customised
90ZYT, 100ZYT, 110ZYT, 120ZYT	Delrin, Bronze	60:1	ERB, MRB	Customised
90ZYT, 100ZYT, 110ZYT, 120ZYT	Bronze	75:1	ERB, MRB	Customised

Dimensions in mm



Additional Options

A wide range of voltages is available along with versions with Warner parking brake, manual brake release, spade connectors or flying leads and on request customised shafts.



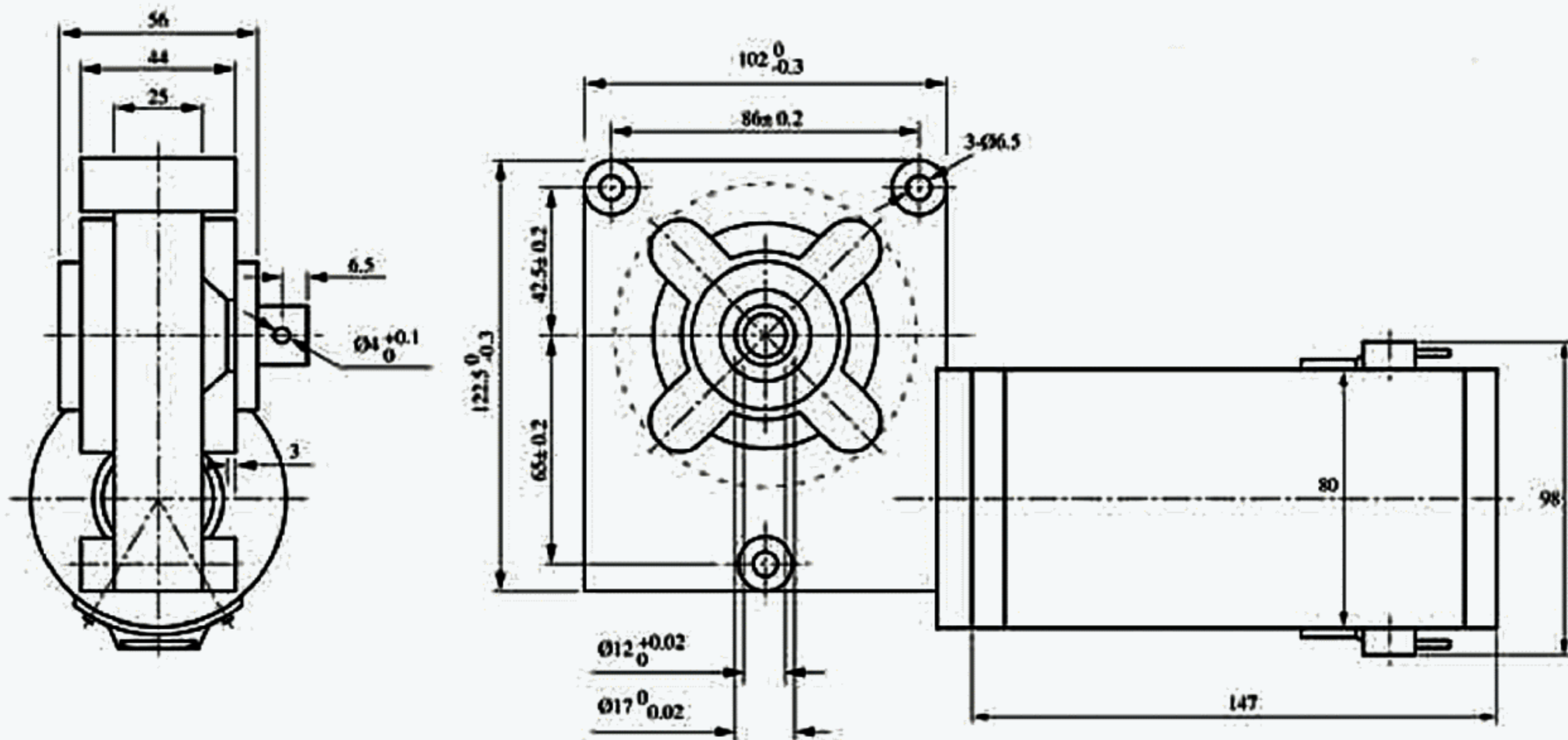
General Specification

Gearbox Housing	Ruggedised die-cast Aluminium
Worm Gear Material	Bronze, steel or glass-filled plastic
Lubrication	Grease lubricated & sealed for life
Gearbox Output Bearing Type	High quality ball bearing
Insulation Class	F (contact us for class B)
Brush Type	Integral or removable
Ambient Operating Temperature	-20° C to +40° C

Performance Data

Motor Sizes	Worm Wheel Material	Gear Ratio	Warner Brake Type	Output Shaft Type
63ZYT, 73ZYT, 80ZYT, 90ZYT	Delrin, Bronze	12.5:1	ERB, MRB	Customised
63ZYT, 73ZYT, 80ZYT, 90ZYT	Delrin, Bronze	25:1	ERB, MRB	Customised
63ZYT, 73ZYT, 80ZYT, 90ZYT	Delrin, Bronze	30:1	ERB, MRB	Customised
63ZYT, 73ZYT, 80ZYT, 90ZYT	Delrin, Bronze	50:1	ERB, MRB	Customised

Dimensions in mm



Additional Options

A wide range of voltages is available along with versions with Warner parking brake, manual brake release, spade connectors or flying leads and on request customised shafts.